

PLEASE CHECK WWW.MOLEX.COM FOR LATEST PART INFORMATION

Part Number: [0734120254](#)
Status: **Active**
Overview: RF/Microwave Products
Description: MCRF-to-Pigtail, 1.13mm Cable Diameter, Length 122.00mm, 50 Ohms

Documents:

[Drawing \(PDF\)](#) [RoHS Certificate of Compliance \(PDF\)](#)

General

Product Family	Cable Assemblies
Series	73412
Assembly Configuration	Single Ended Connector
Connector to Connector	MCRF-to-Pigtail
Overview	RF/Microwave Products
Product Name	MCRF, RF
UPC	822350620291

Physical

Cable Length	122.00mm
Circuits (Loaded)	0
Gender	Plug-Pigtail
Material - Metal	Phosphor Bronze
Material - Plating Mating	Gold
Material - Resin	Polyester
Net Weight	0.400/g
Packaging Type	Bag
Single Ended	Yes
Wire/Cable Type	Coaxial

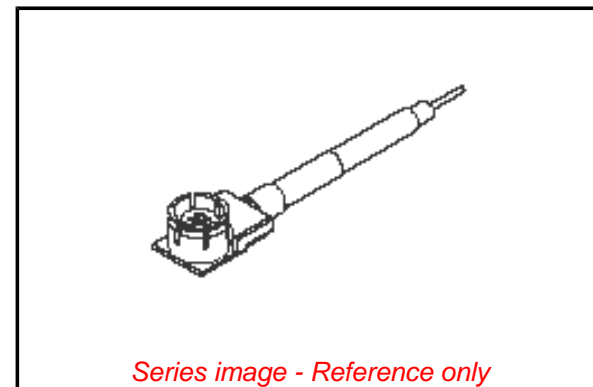
Electrical

Impedance	50#
-----------	-----

Material Info

Reference - Drawing Numbers

Sales Drawing	SD-73412-025
---------------	--------------



Series image - Reference only

EU ELV

Not Reviewed

EU RoHS

Not Reviewed

REACH SVHC

Not Reviewed

Halogen-Free

Status

Not Reviewed

Need more information on product environmental compliance?

Email productcompliance@molex.com
Please visit the [Contact Us](#) section for any non-product compliance questions.

China ROHS

Not Reviewed

ELV

Not Reviewed

Search Parts in this Series

[73412 Series](#)